



匯統國際股份有限公司
Huey Tung International Co., Ltd.

產品規格書 Specification

[Model : HT-5240-2 / 2013.04.12 version]



Cara Audio Corporation

No.69, Lane 762, Dingzhong Road, Sanmin District, Kaohsiung City, Taiwan, ROC.


Tel: 886-7-310 5786 / Fax: 886-7-310 0783

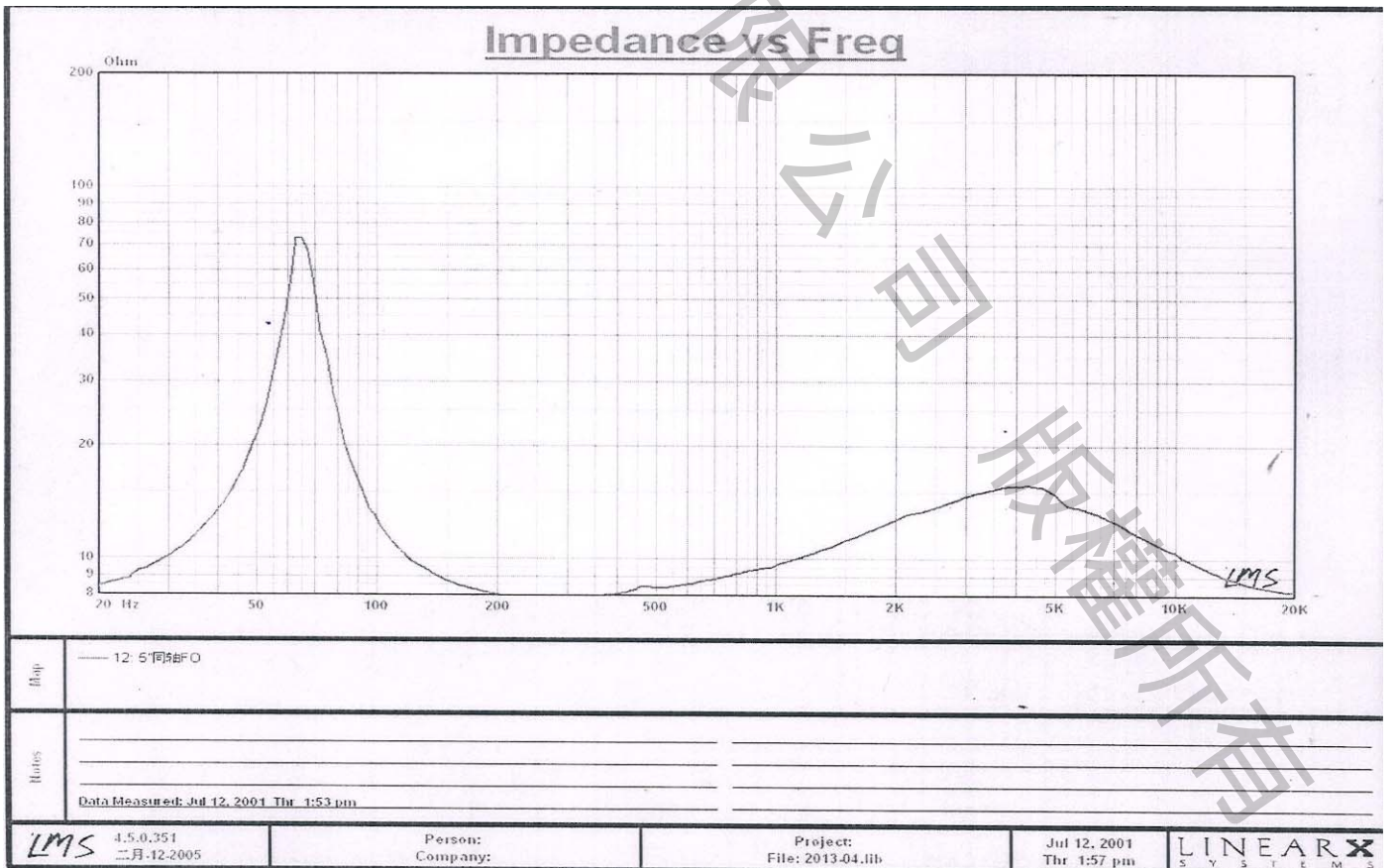
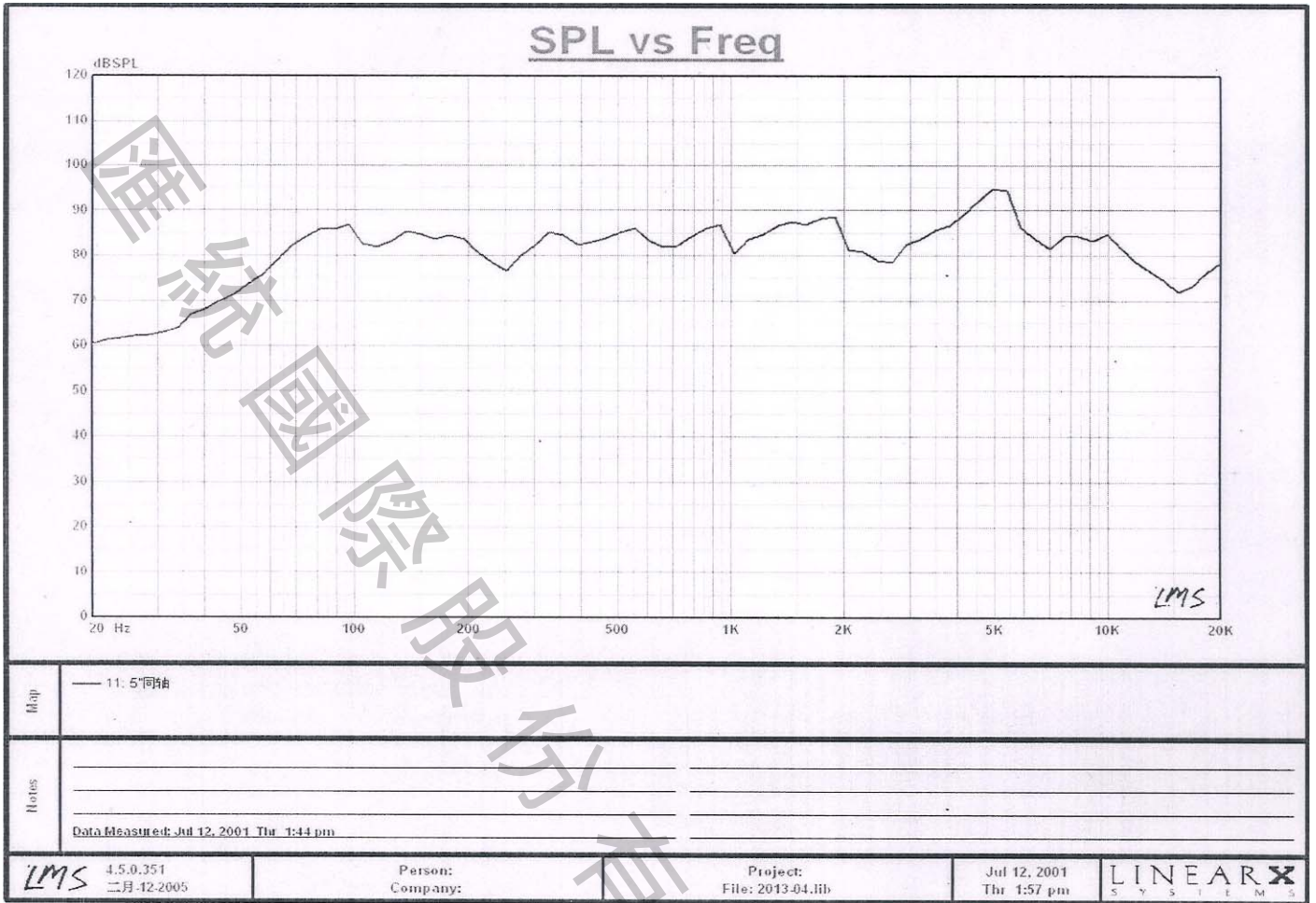
E-mail: carawang@hueytung.com.tw / <http://www.hueytung.com.tw>

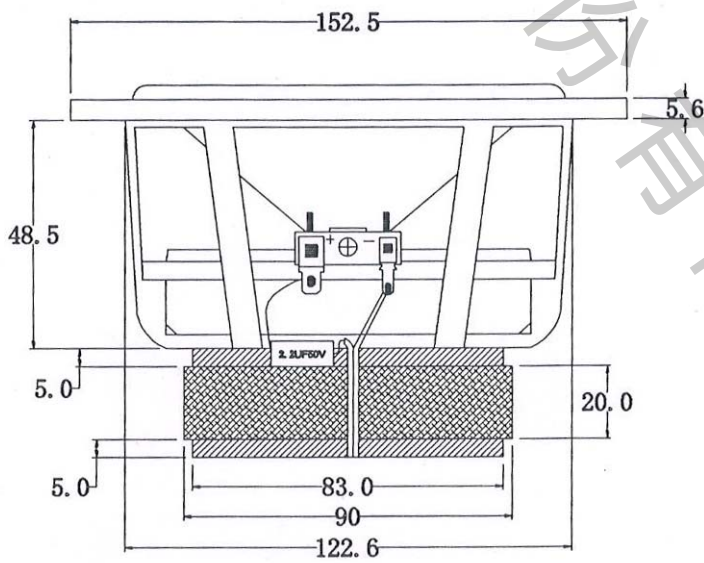
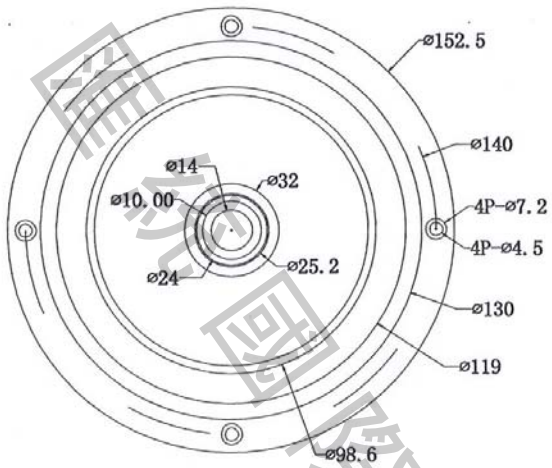
揚聲器製品規格書

SPEAKER SPECIFICATION

型號 Model Number: HT-5240-2

項目 Items		規格 Specification			
1	公称阻抗 Nominal Impedance	7.2Ω±0.2%			
2	最低共振周波数 Lowest Resonance Frequency	65Hz~4000Hz±70%Hz Without a baffle			
3	实效周波数带域 Effective Frequency Range	F0~18KHz -10dB			
4	出力音压 Output Sound Pressure Level	86dB±3dB 1W/1M at (200,800,2K,5K)Hz AVE.			
5	入力 Input	定格入力 Rated input 20 W	最大入力 Maximum input 30 W		
6	磁束密度 Flux Density	-----±10% GAUSS			
7	异常音试验电压 Buzz & Rattle Test	Must be normal at sine wave 12.6 V			
8	动作试验电压 Operation Test	Must be normal at program source 15.5 V			
9	极性 Polarity	正極+			
10	磁石尺寸/重量 Magnet Dimension/Weigh	Magnet:90*40*20 Y30 12.5*5 N35	/G		
11	连续负荷试验 Life Test	PINKDINJISC5531 20W 96HOURS	After the Test, Speaker should be meet the Outside and item 7,8		
12	耐热试验 Heat Resistance	55°C±2°C 20%-25%RH 8Hours and then room temperature 1 hours			
13	耐湿试验 Humidity Resistance	40°C±2°C 90%-95%RH 8Hours and then room temperature 1 hours			
14	耐寒试验 Cold Resistance	/			
15	落下试验 Drop Test	1M 75°±2°			
16	绝缘耐压试验 Insulation Resistance	Or more 1MΩ 以上			
17	周波数特性 Frequency Response Curve	参照附图 On Other Drawing			
18	失真率 Distortion	5% MAX RATED POWER INPUT 20W AT 1K HZ			
19	各部 材质	Cone Paper	橡膠邊+鋁銷銀 PEI		
		Voice Coil	/		
		Cap	/		
20	总重量 Total Weight	/			
		Size: 5" 試作發行: 2013.04.12	Approve: Arthur	Check: John	Design: LIU





Tolerance: ± 0.5

Unit: mm